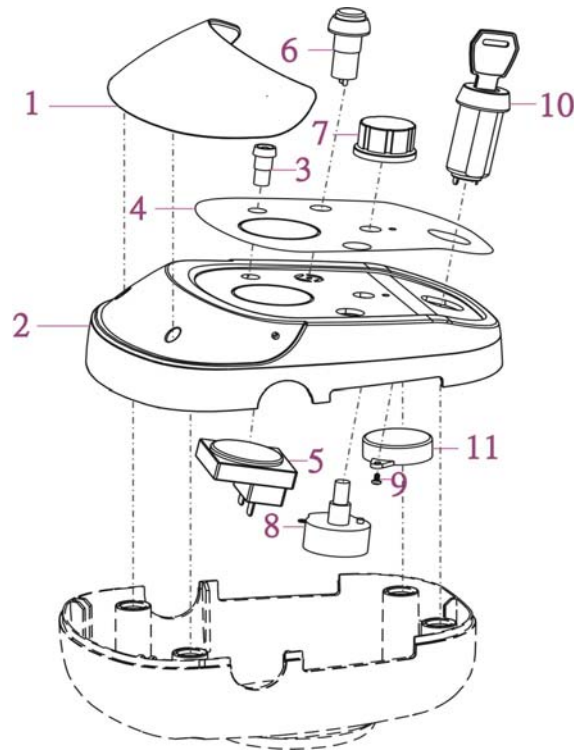


LRM402203 Control Panel Assembly



Item	Part Number	Description	Qty.
1	LRM402103-01	Screen	1
2	LRM402103-02	Top Plastic Shroud Of T-Bar	1
3	LRM402103-03	Diagnostic Light	1
4	LRM402103-04	Panel Label	1
5	LRM402103-05	Battery Meter	1
6	LRM402103-06	Button	1
7	LRM402103-07	Plastic Knob	1
8	LRM402103-08	Speed Dial (30KVR)	1
9	LRM402103-09	Self Tapping Screws	3
10	LRM402103-10	Key Switch	1
11	LRM402103-11	Horn	1