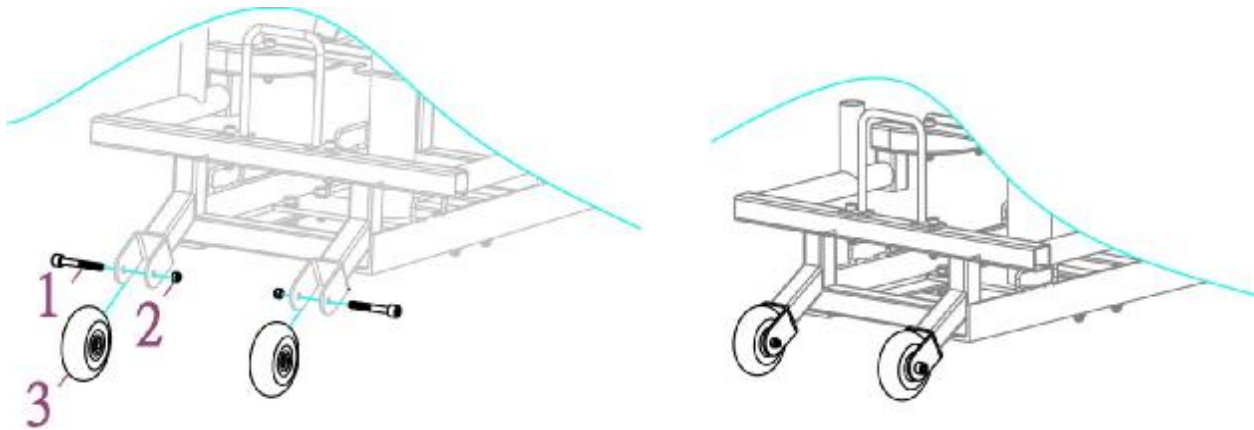


LRD410106 Anti-Tipper Assembly



| Item | Part Number | Description | Qty. |
|------|--------------|----------------------|------|
| 1 | LRD410106-01 | Hex Socket Cap Screw | 2 |
| 2 | LRD410106-02 | Nut | 2 |
| 3 | LRD410106-03 | Anti-Tipper Wheel | 2 |